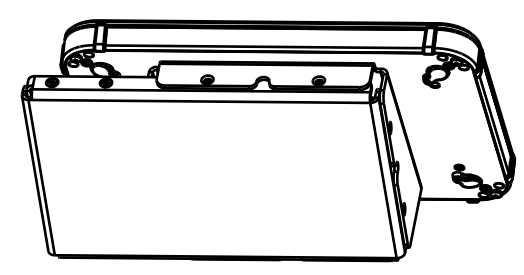
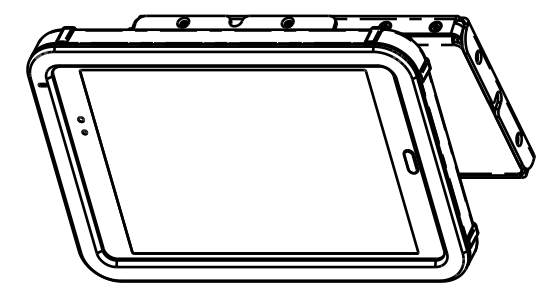
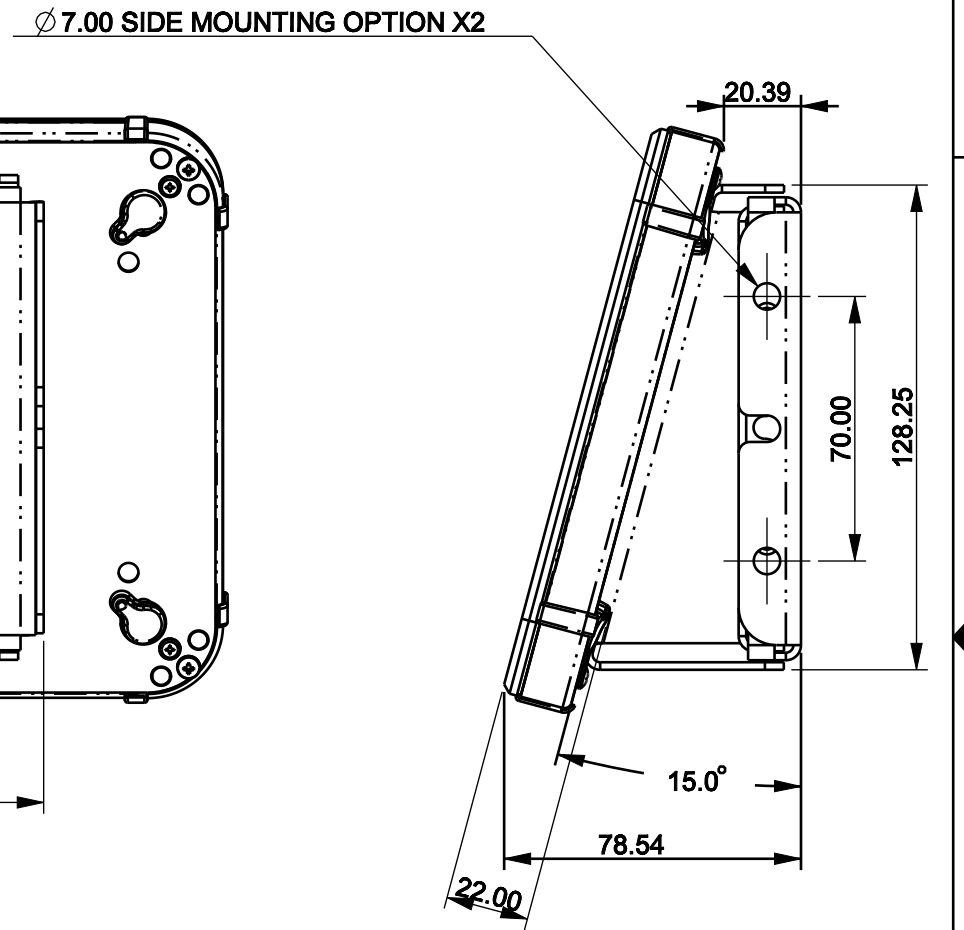
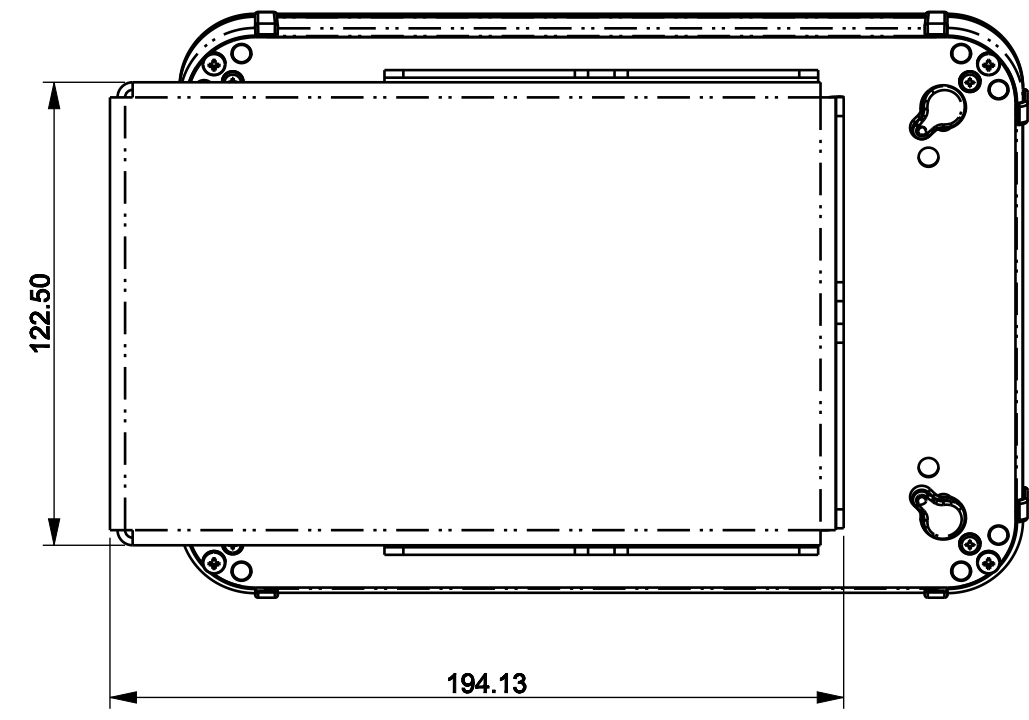
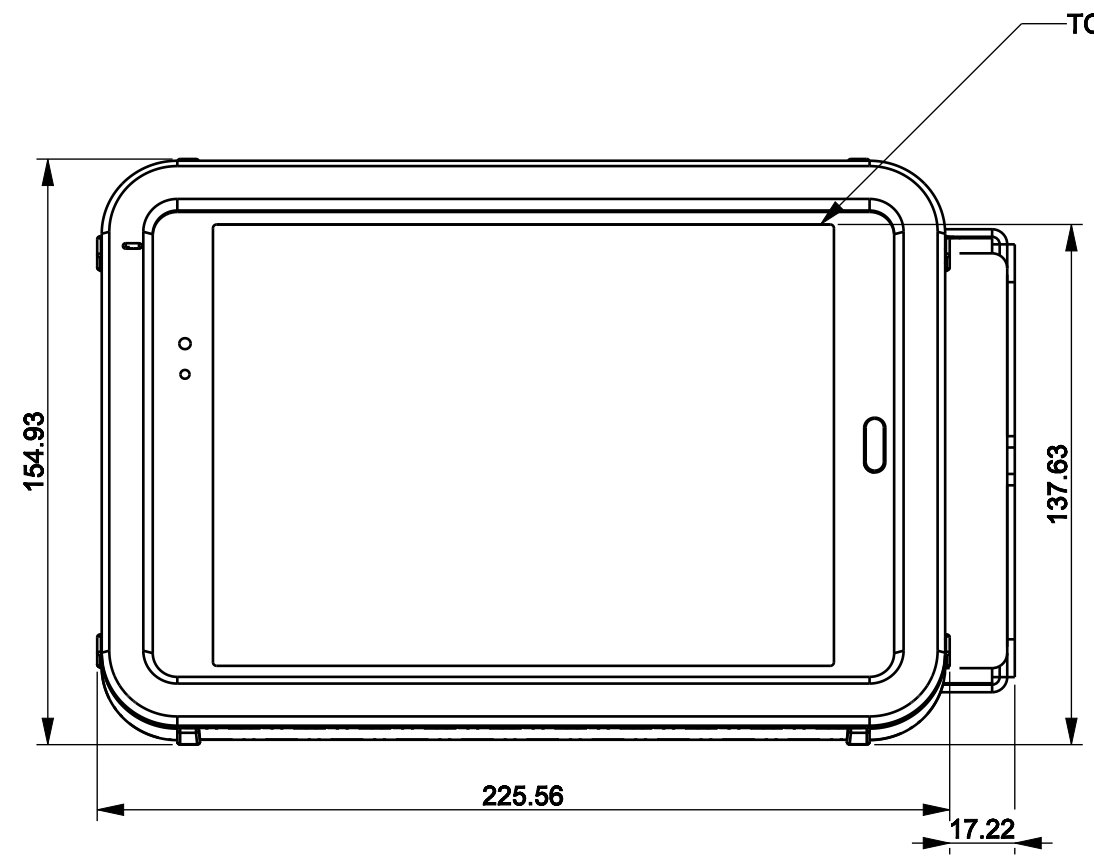


THIS DRAWING AND THE INFORMATION THEREIN ARE PROPERTY OF MAGTARGET AND SHALL NOT BE REPRODUCED, COPIED, RECORDED IN ANY MEDIA, USED FOR ANY OTHER PURPOSE OR DELIVERED AND/OR DISCLOSED TO ANY THIRD PARTY WITHOUT WRITTEN CONSENT OF MAGTARGET.

| REVISIONS | | | | |
|-----------|-----|-------------|------------|----------|
| ZONE | REV | DESCRIPTION | DATE | APPROVED |
| | | | 2020-06-02 | |



| ITEM | DESCRIPTION | PART NUMBER | QTY |
|------|--------------------------------|--------------|-----|
| 3 | BRACKET, SIDE MULLION, W COVER | 273-0040 | 1 |
| 2 | BRACKET, 15 DEGREES MOUNT, | 273-0022-000 | 1 |
| 1 | | 580-SUB-ASSM | 1 |

| | | | |
|--|--|--------------------------|---------|
| UNLESS OTHERWISE SPECIFIED DIMENSIONS ARE IN MM. TOLERANCES ARE: MILLIMETERS ANGLES X± 1.0 MM ± 0.5 .XX± 0.50 MM .XX± 0.25 MM .XXX± 0.125MM | | - DO NOT SCALE DRAWING - | |
| FINISH | | APPROVALS | DATE |
| REMOVE ALL BURRS & SHARP CORNERS | | DRAWN BY | CHECKED |
| | | ENGINEER | |
| | | MATERIAL | |

MagTarget

**VISUALTARGET 8" SAMSUNG T350, NO LIGHTS
15 DEGREE, SIDE MOUNT**

| | | | |
|------------------|----------------|-----------------------------------|-----|
| SIZE B | MODEL NUMBER | DWG NO. 580-0000-100-SIDEMOUNT | REV |
| MASS 0.872 | SCALE 0.500 | SHEET SHEET 1 OF 1 | |

D

D

C

B

A

4

3

2

1

4

3

2

1